

(19)



(12)

(10)

(45)

(21)

(51) Int. Cl .

(22)

C09J 103/02

(65)

C09J 105/00

C09J 129/04

(43)

C09J 11/04

C09J 11/06

(73)

B01D 19/00

B01D 19/04

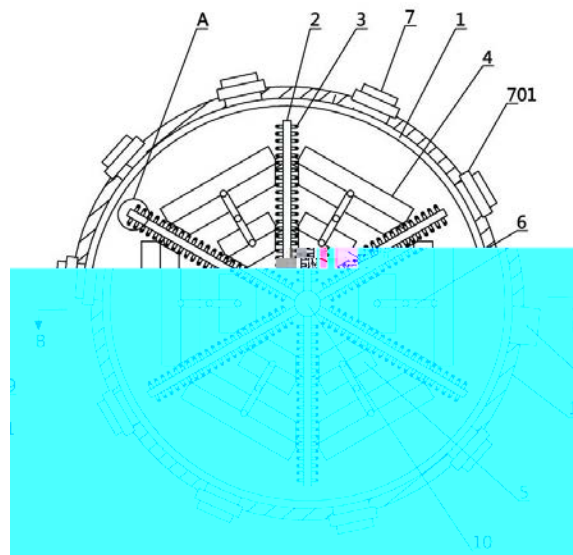
(72)

(74)

(54)

(57)

- - -
- - -
- - -
-



-

[0001]

[0002]

[0003]

[0004]

[0005]

[0006]

[0007]

[0008]

[0009]

[0010]

[0011]

[0012]

[0013]

[0014]

[0015]

[0016]

[01010]

[0026]

[0027]

[0028]

[0029]

[0030]

[0031]

[0032]

[0033]

[0034]

[0035]

